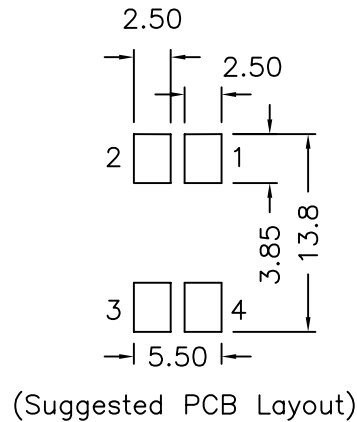
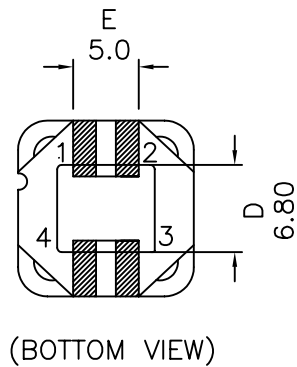
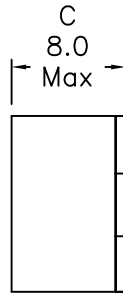
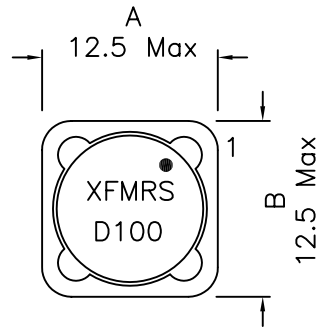
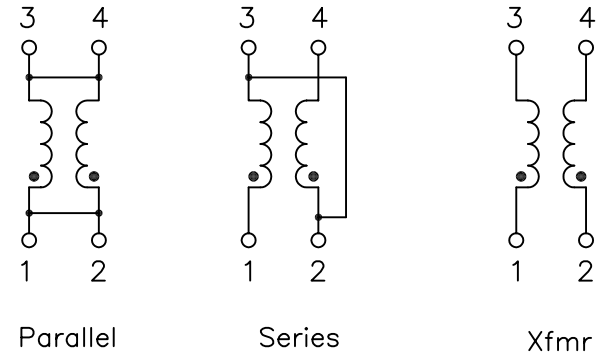


1. Mechanical Dimensions:



2. Schematic:



3. Electrical Specifications: @25°C

	Parallel	Series
OCL(NO DC):	10.47uH±20%	41.88uH±20% 100KHz, 0.25V
Irms:	6.04A	3.02A (40°C rise)
Isat:	11.2Adc	5.60Adc (30% L drop)
DC RES:	0.029 Ohms Max	0.116 Ohms Max
V-uS:	17.5	35.0
Q:	15 Min 100KHz, 0.1V, each wdg	
Isolation:	500 Vrms	

Notes:

- Solderability: Leads shall meet MIL-STD-202G, Method 208H for solderability.
- Flammability: UL94V-0
- ASTM oxygen index: > 28%
- Insulation System: Class F 155°C. UL file E151556
- Operating Temperature Range: All listed parameters are to be within tolerance from -40°C to +85°C
- Storage Temperature Range: -55°C to +125°C
- Aqueous wash compatible
- SMD Lead Coplanarity: ±0.004"(0.102mm)
- Electrical and mechanical specifications 100% tested
- RoHS Compliant Component

DOC REV: A/6

XFMRS Inc. www,XFMRS.com	Title: Shielded Dual Inductor			
	UNLESS OTHERWISE SPECIFIED TOLERANCES:	P/N: XFTPRH1207D-100	REV. A	
.xx ±0.25	DWN.	Mei Chen	Jul-03-10	
Dimensions in MM	CHK.	YK Liao	Jul-03-10	
SHEET 1 OF 1	APP.	BW	Jul-03-10	

PROPRIETARY

Document is the property of XFMRS Group & is not allowed to be duplicated without authorization.